



**Metrologic®**  
We really work for you.™

## MS6720

**MS6720 provides retailers with omnidirectional scanning performance in an ergonomic hand-held design that facilitates scanning of larger items otherwise unable to be presented to fixed position countertop scanners.**

Metrologic's MS6720 is the industry's first hand-held bar code scanner that incorporates a full 20-line omnidirectional scan pattern. Bringing fixed position scanning performance to the palm of your hand, the MS6720 enables users to present small items to the scanner or transport the lightweight scanner to bulkier items. MS6720 is ideal for moderate volume retail environments including convenience stores, pharmacies, gas stations, specialty stores, and liquor stores.

The MS6720 scanner is available with either a stationary or adjustable stand. The stationary stand is ideal for applications where the MS6720 is being used mostly as a hand-held scanner.

This stand was designed for ease of use while still providing sufficient room for fixed presentation scanning. The adjustable stand provides seven rotational and nine tilting positions as well as a removable wall mount cup.

The MS6720 utilizes a unique, patented infrared sensor and control scheme to support standby modes that reduce power consumption and extend the life of the product. The MS6720 allows selection between short-range and long-range infrared activation for easy integration into a variety of applications and installation locations. With its versatile functionality, easy programming, and strong feature set, operators are sure to appreciate the convenience and flexibility of the MS6720.

[www.metrologic.com](http://www.metrologic.com)

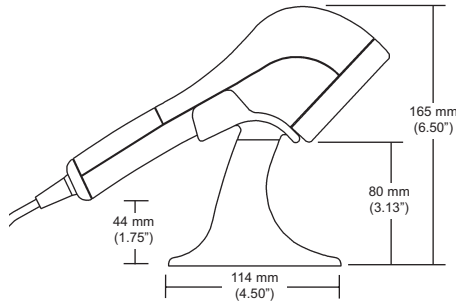


### FEATURES

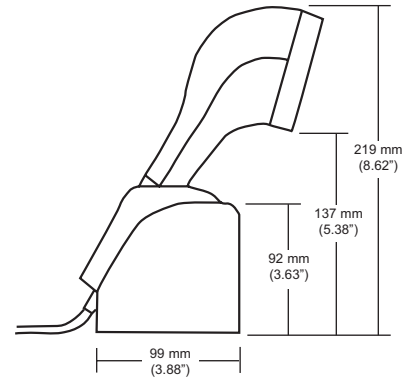
- Combination hand-held and fixed projection scanner
- Decodes all standard 1D bar codes
- Fully automatic scanning operation
- Stationary or adjustable stand available
- Concentrated omnidirectional scan pattern

### BENEFITS

- Easily scan the larger items that cannot be placed on the counter for presentation scanning
- Sunrise 2005 compliant
- Increases productivity and allows faster throughput
- Customize the product to meet your application requirements
- Provides high first pass read rate



Stationary Stand



Adjustable Stand (standard)

## OPERATIONAL

Light Source	Visible Laser Diode 650 nm $\pm$ 10 nm
Laser Power	0.681 mW (peak)
Decode Capability	Autodiscriminates all standard bar codes, including RSS; for other symbologies call Metrologic
System Interfaces	PC Keyboard Wedge, RS232, OICIA, Light Pen Emulation, IBM 468x/469x, USB, Stand Alone Keyboard
Number Characters Read	Up to 80 data characters
Beeper Operation	3 tones or no beep
Indicators (LED)	Red = laser on, ready to scan Green = good read

## MECHANICAL

Height	219 mm (8.6")
Depth-Handle	28 mm (1.1")
Depth-Head	75 mm (2.9")
Width-Handle	48 mm (1.9")
Width-Head	77 mm (3.0")
Footprint On Stand	100 mm x 135 mm (3.9" x 5.3")
Weight	380 g (13.4 oz)
Termination	10 pin modular, RJ45 connector
Cable	Standard 2.1 m (7') straight; optional 2.7 m (9') coiled; for other cables call Metrologic

## ELECTRICAL

Input Voltage	5 VDC $\pm$ 0.25 V
Power	1.1 W @ 5V
Operating Current	220 mA @ 5V
DC Transformers	Class 2; 5 VDC @ 300 mA
Laser Class 1	EN 60825-1:1994 + A11:1996 Laser Class 1
EMC	FCC, ICES-003 & EN55022 Class B

## ENVIRONMENTAL

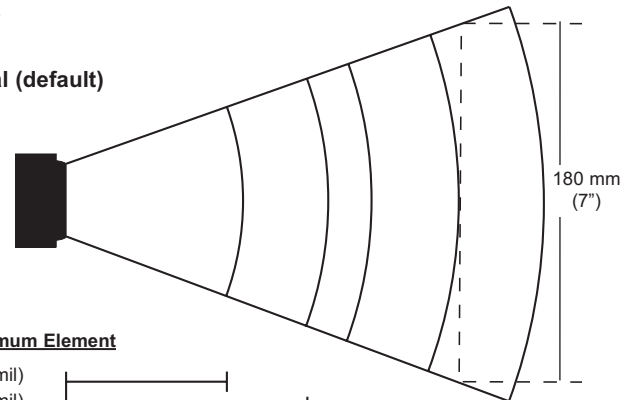
Operating Temperature	0°C to 40°C (32°F to 104°F)
Storage Temperature	-40°C to 60°C (-40°F to 140°F)
Humidity	5% to 95% relative humidity, non-condensing
Light Levels	Up to 4842 Lux (450 footcandles)
Shock	Designed to withstand 1 m (3.1') drops
Contaminants	Sealed to resist airborne particulate contaminants
Ventilation	None required

## SCAN PERFORMANCE

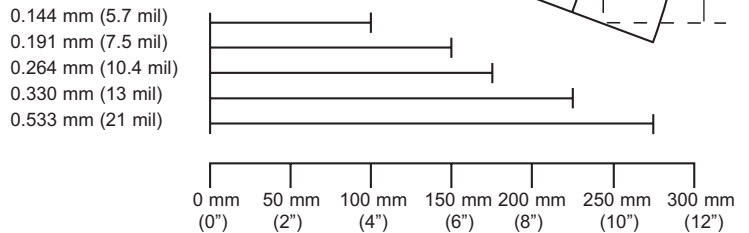
Depth of Scan Field (programmable)	0 mm - 203 mm (0" - 8") for 0.33 mm (13 mil) bar code at default setting
Width of Scan Field	50.8 mm (2") @ face; 178 mm (7") @ 203 mm (8")
Scan Speed	1000 scan lines per second
Scan Pattern	5 fields of 4 parallel lines (omnidirectional)
Number of Scan Lines	20
Minimum Bar Width	0.145 mm (5.7 mil)
Print Contrast	35% minimum reflectance difference
Roll, Pitch, Yaw	360°, 60°, 60°

## Scan Area

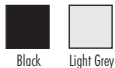
### Normal (default)



### Bar Code Minimum Element



Product Colors Available



MS6720 is available in a variety of other colors with minimum quantity purchase



Sunrise 2005 Compliant



www.metrologic.com  
ISO 9001:2000

Metrologic Instruments, Inc. | **Worldwide Headquarters**  
90 Coles Road | Blackwood, NJ 08012-4683 | info@metrologic.com  
Telephone 856-228-8100 | Fax 856-228-6673

<b>Asian Headquarters</b> Tel. 65.6842.7155 info@sg.metrologic.com	<b>European Headquarters</b> Tel. 49.89.89019.0 info@eu.metrologic.com	<b>The Americas Headquarters</b> Tel. 1.800.ID.METRO info@us.metrologic.com
--	--	---

Specifications subject to change without notice.  
Printed U.S.A., Copyright August 2005  
Metrologic, All rights reserved.



DS6720